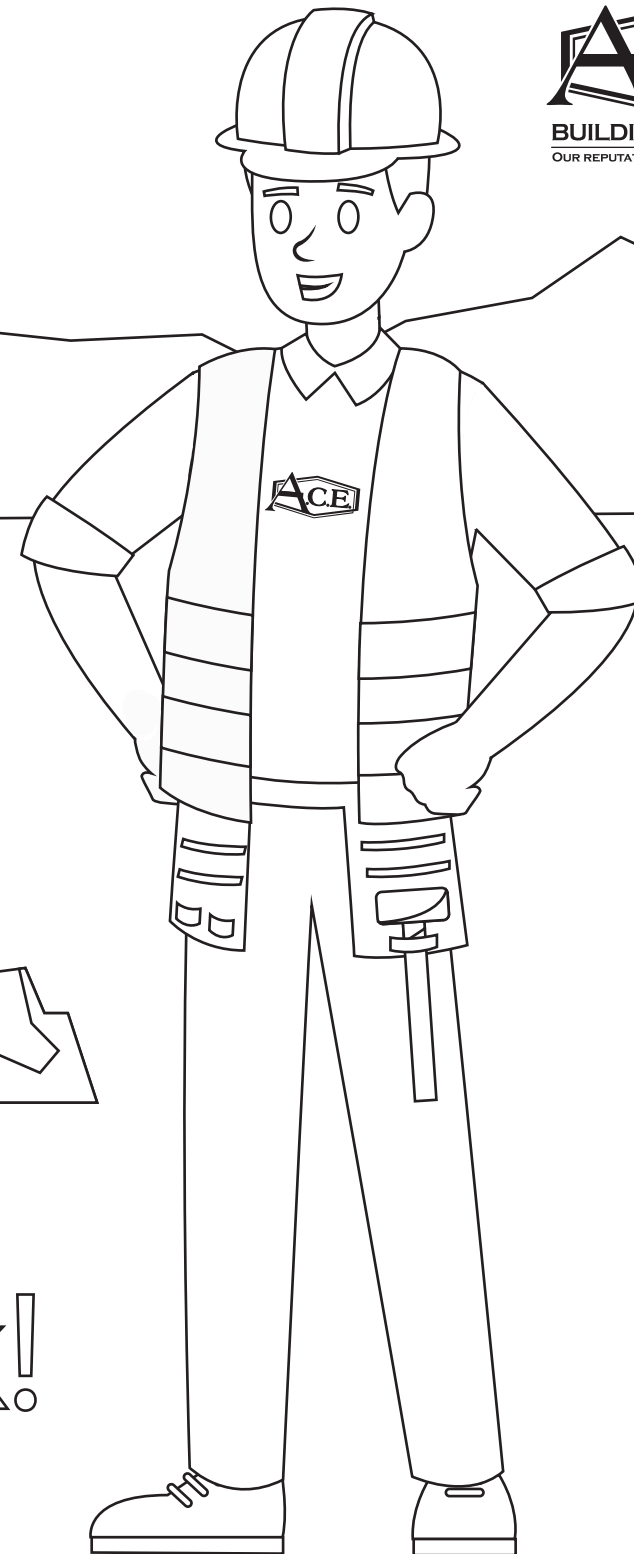
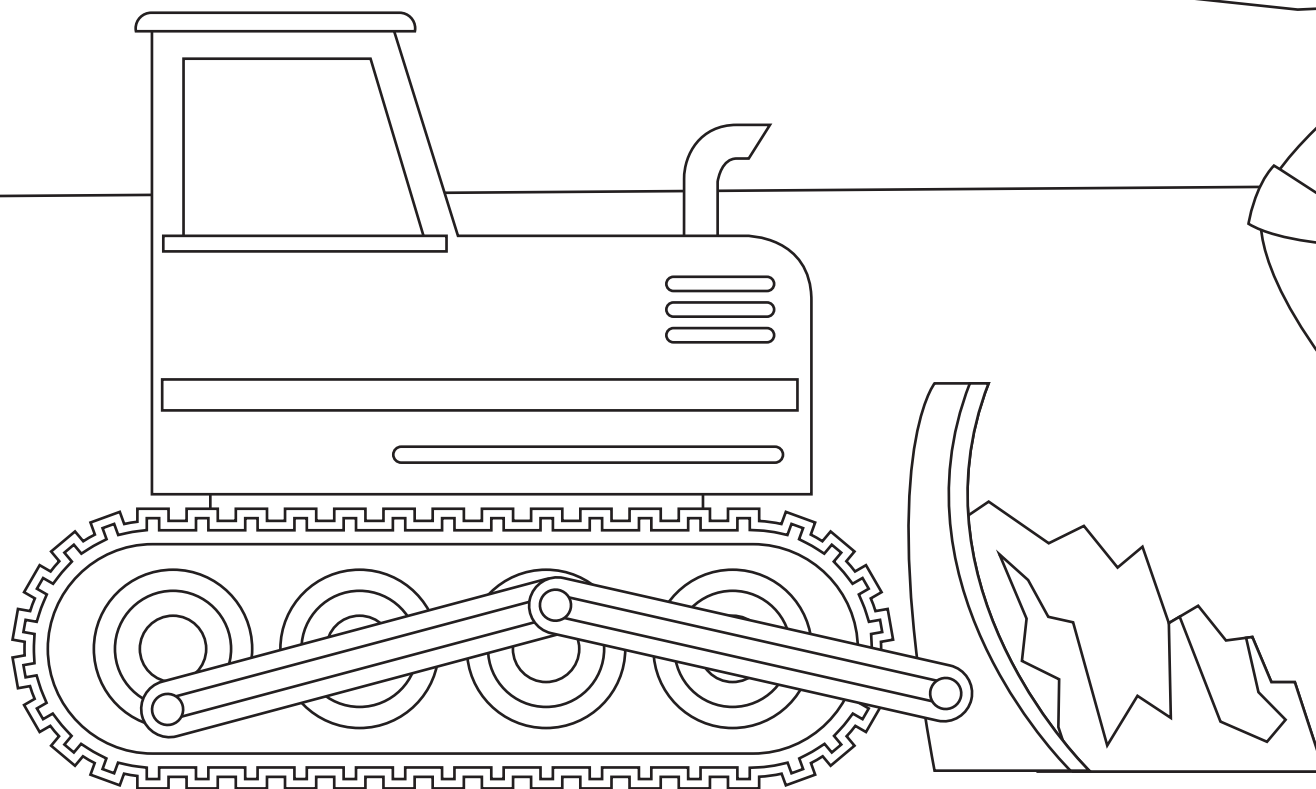




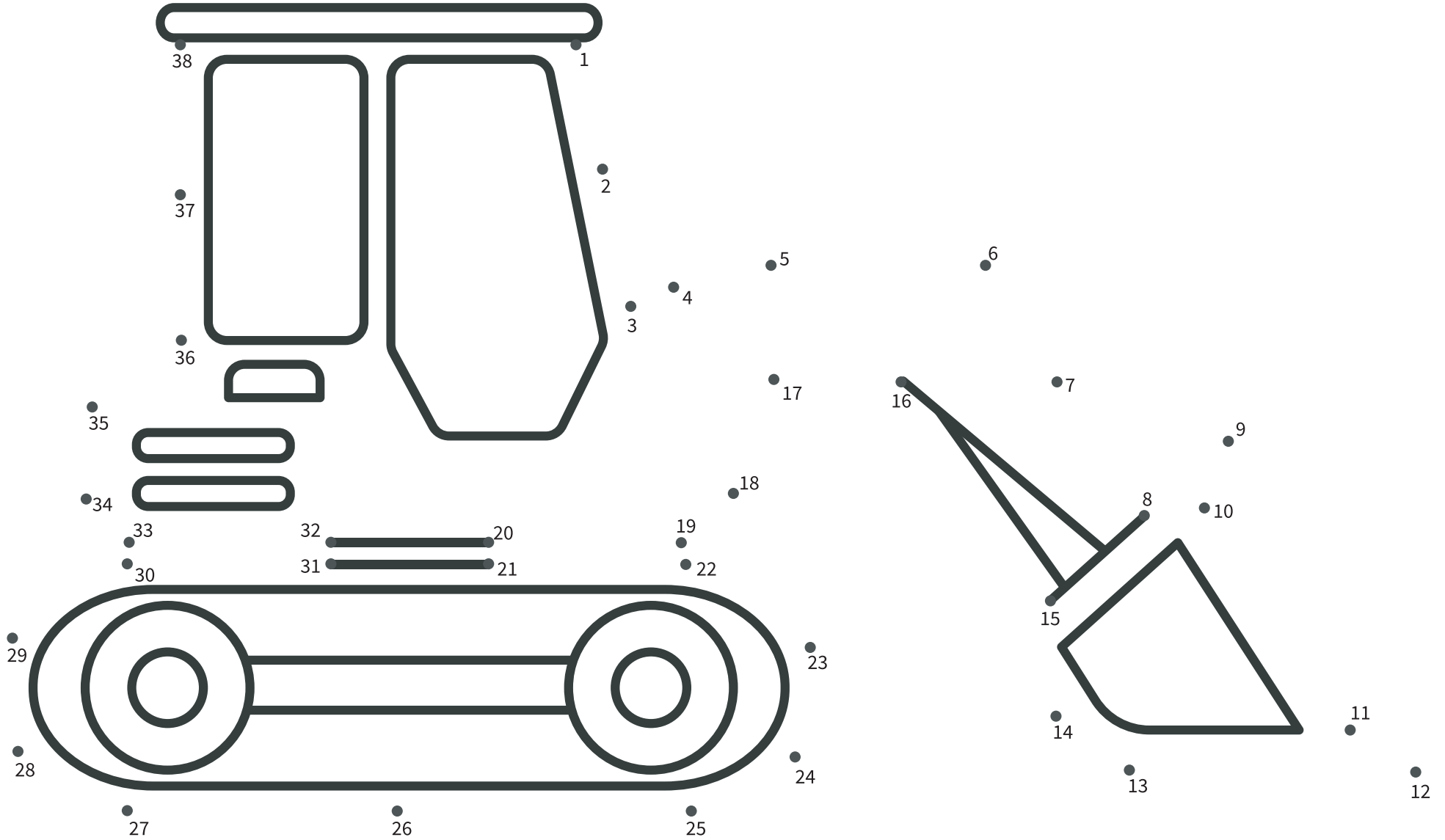
Construction Activity Pages



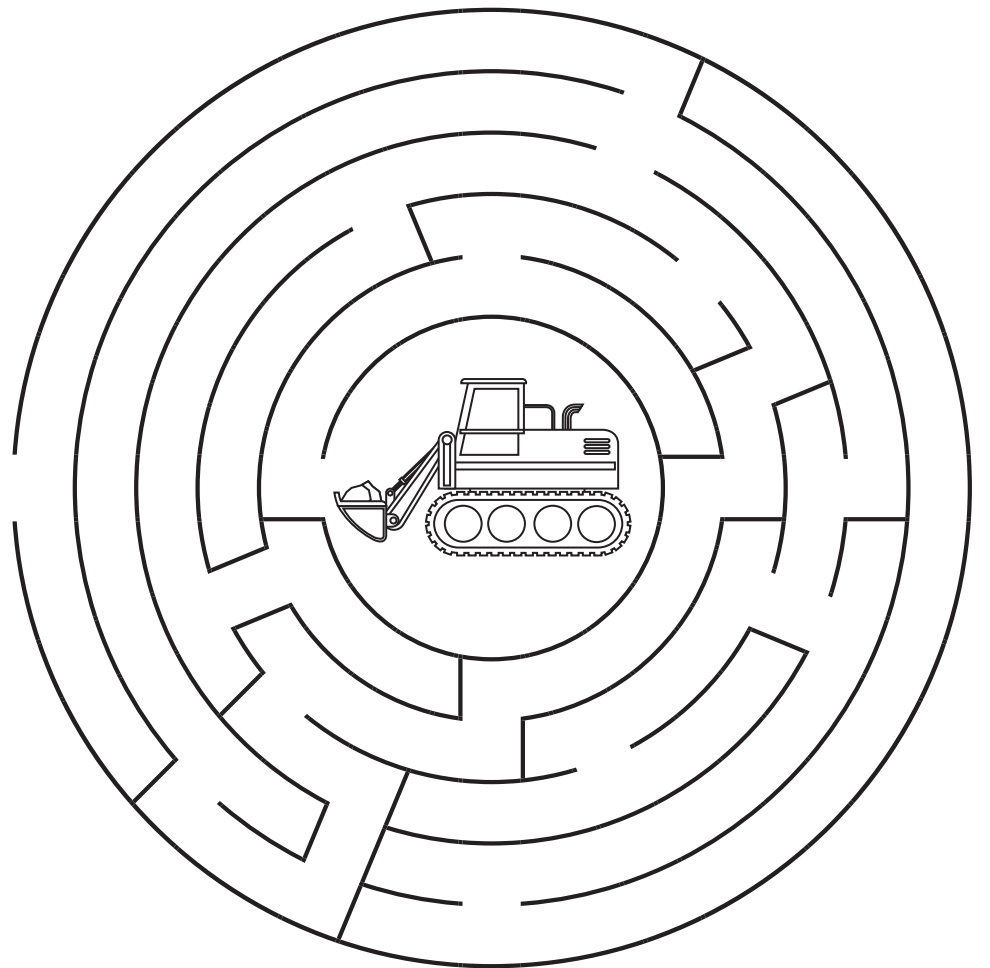
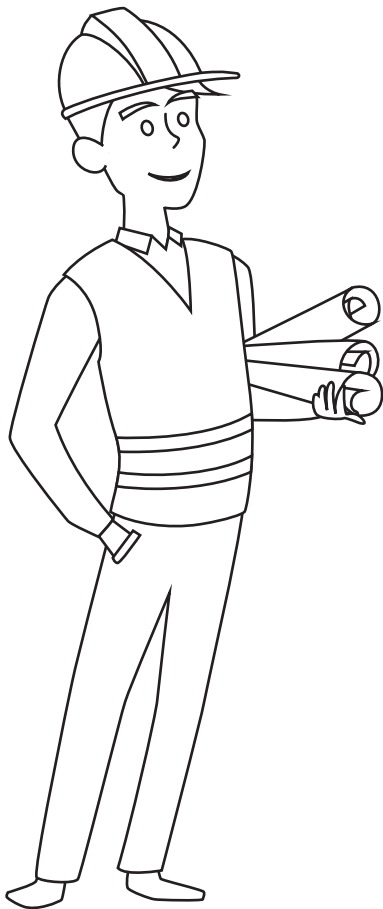
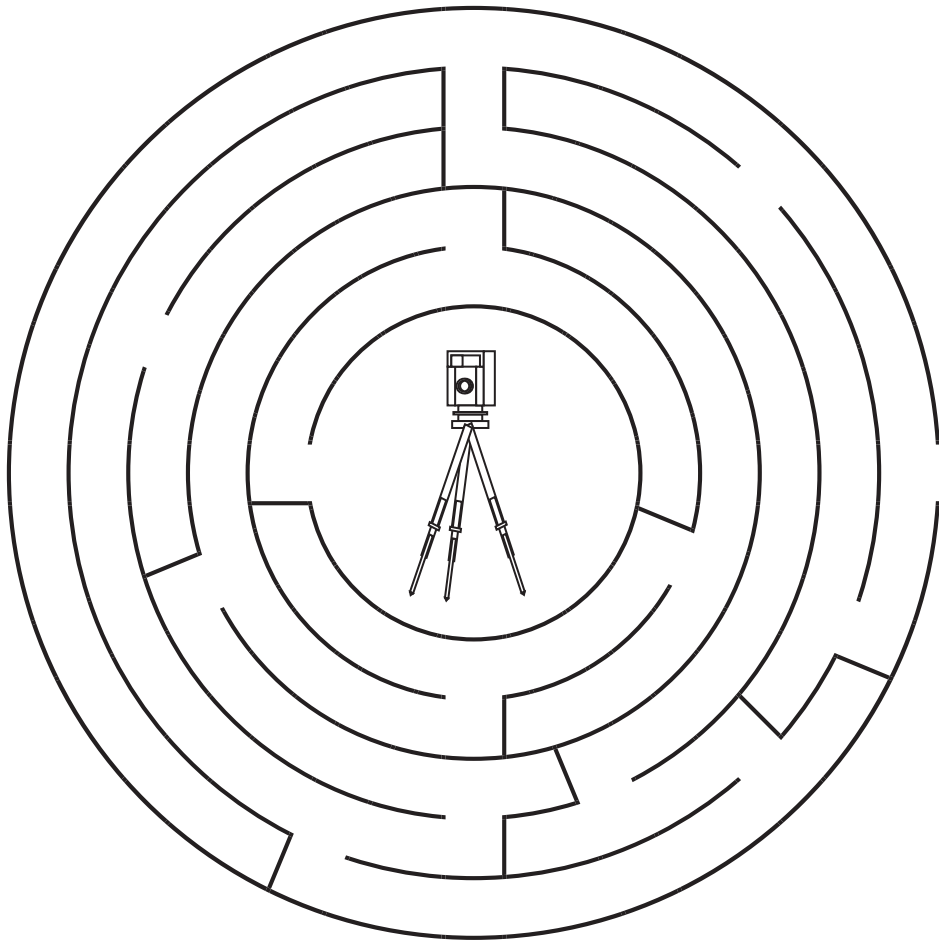


Let's get to work!

Connect the dots!

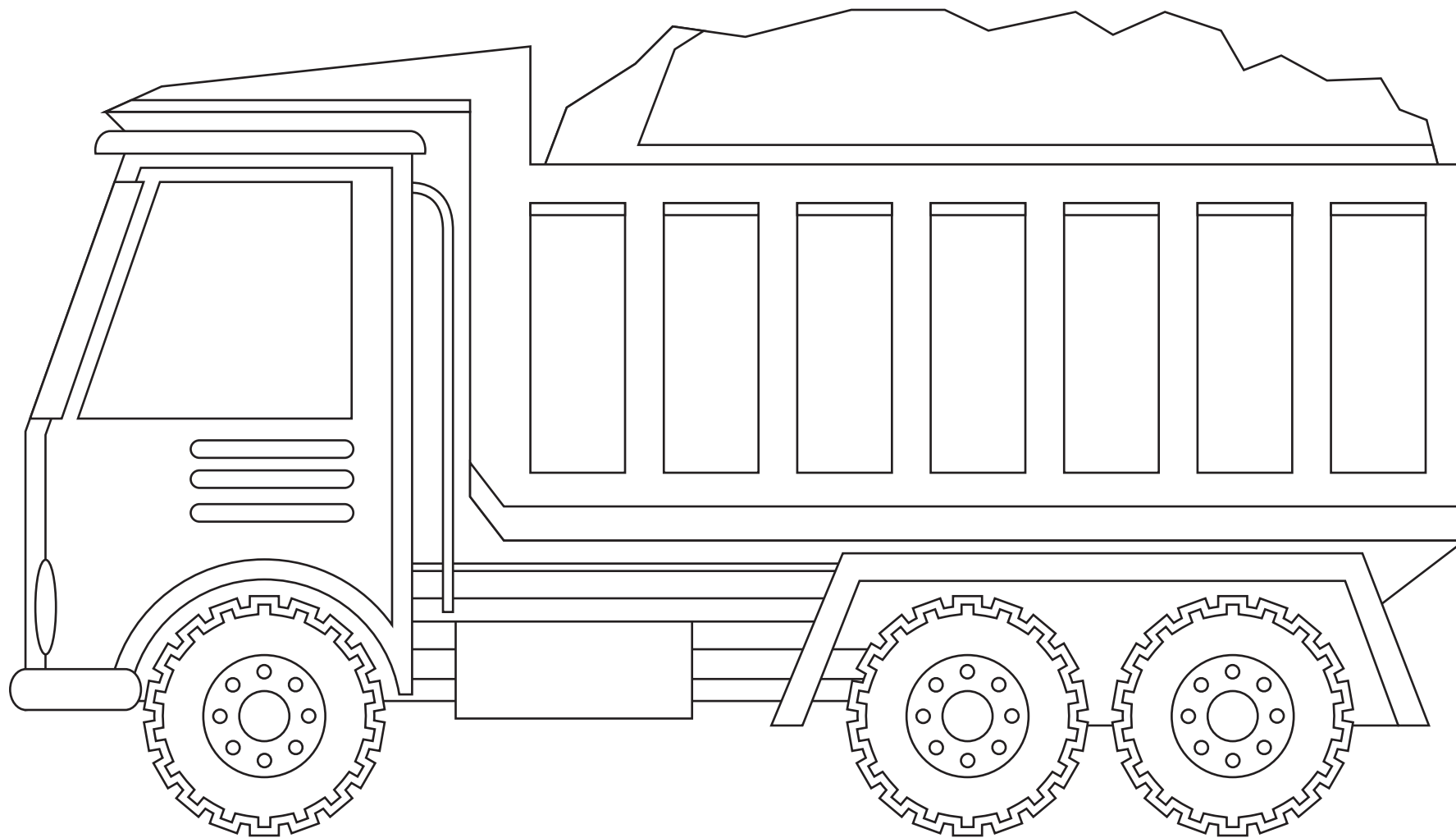








BUILDING SERVICE
OUR REPUTATION IS OUR FOUNDATION



Construction Word Search

C O N S T R U C T I O N
R U H D R K L P S P I A
A J D C U Q B U I L D K
N T R A C O R J L H F A
E F O R K L I F T F C V
S X O L E S C E R I Y S
T E F P U R K P H X F C

Word Bank

Roof

Construction

Build

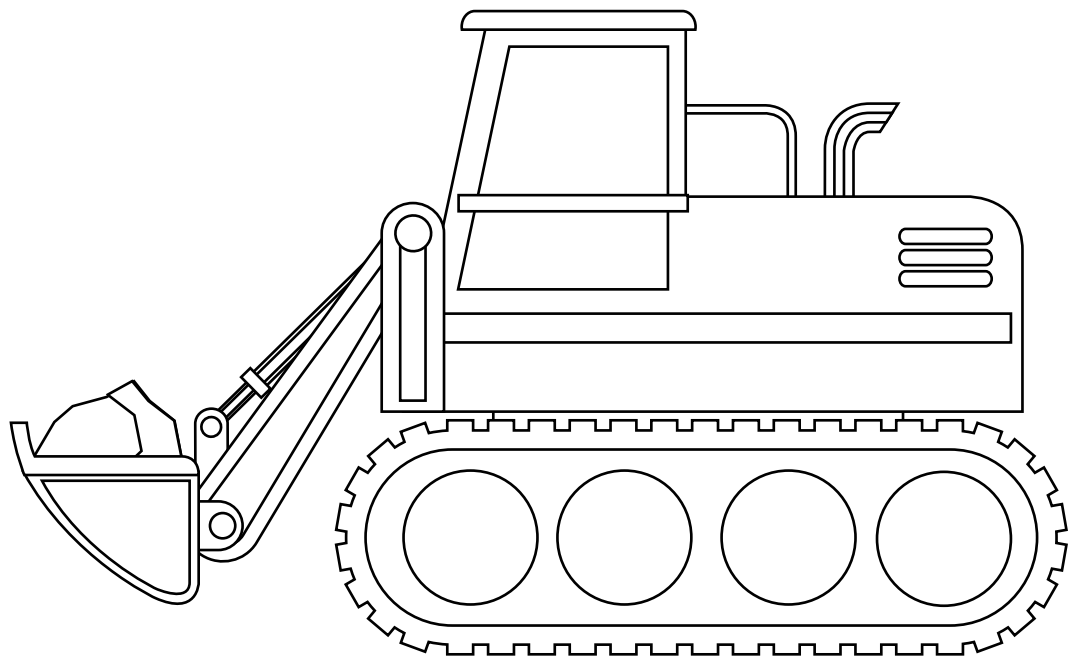
Brick

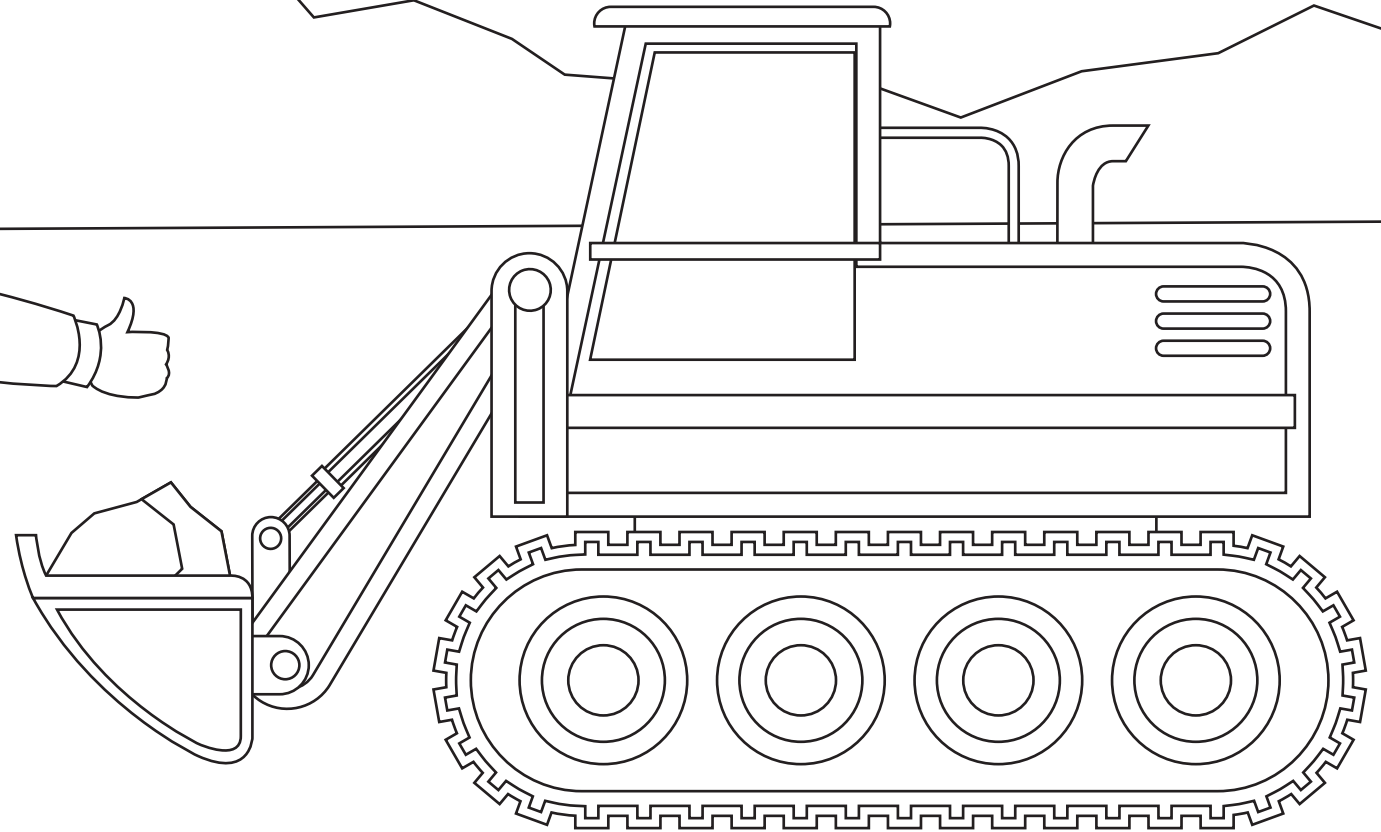
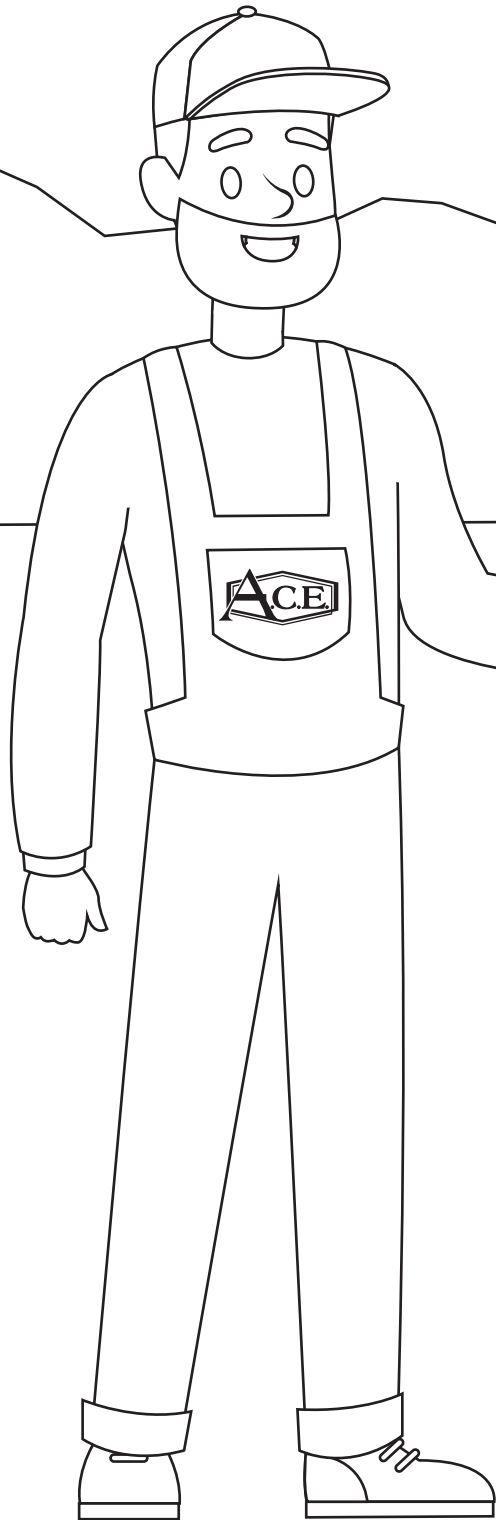
Fix

Crane

Forklift

Truck





No job too big or small!

